

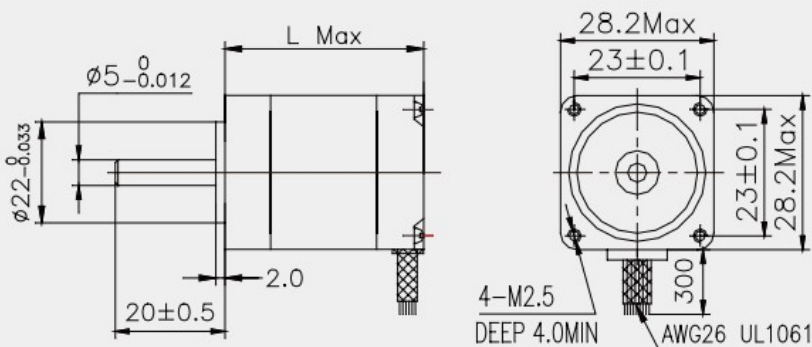
## 11HY Series

Positional error:  $\pm 5\%$ ;  
 Working Temperature:  $-20^{\circ}\text{C} \sim +50^{\circ}\text{C}$ ;  
 Temperature rise:  $80^{\circ}\text{C}$  Max;  
 Insulation resistance: 100M $\Omega$  Min.50V DC;  
 Dielectric Strength: 500V AC 1minute  
 Insulation class: B.

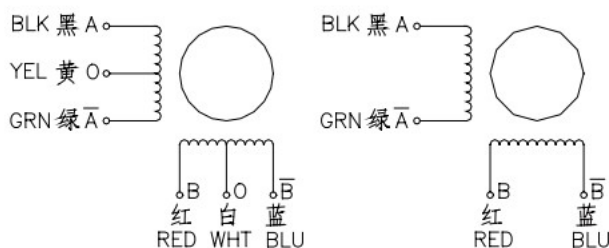


Code	Step angle	Motor length (mm)	Rated current (A)	Resistance per phase ( $\Omega$ )	Inductance per phase (mH)	Holding torque (mN.m)	Detent torque (mN.m)	Rotor inertia (g.cm <sup>2</sup> )	Lead Wire	Motor weight (g)
11HY2406	1.8	28	0.6	4.2	2.2	4.5	0.3	6	4	105
11HY24035	1.8	28	0.35	12	5.8	4.5	0.3	6	4	105
11HY3406	1.8	33	0.6	5.5	3.2	6.0	0.4	8	4	110
11HY34035	1.8	33	0.35	15	9.2	6.0	0.4	8	4	110
11HY4406	1.8	41	0.6	7.0	6.0	6.0	0.5	11	4	140
11HY44035	1.8	41	0.35	20	15	6.0	0.5	11	4	140
11HY2406	1.8	28	0.6	4.2	2.2	4.5	0.3	6	4	105
11HY24035	1.8	28	0.35	12	5.8	4.5	0.3	6	4	105

### Dimensions



### Wiring Diagram



\*We can manufacture products according to customer's requirement.